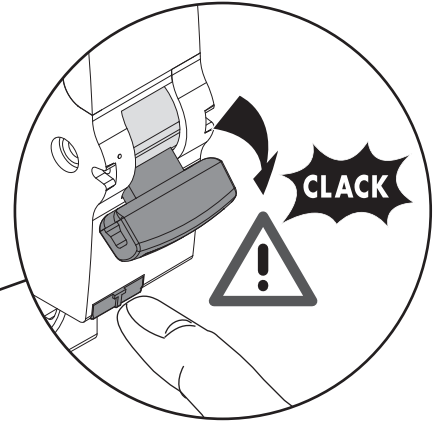
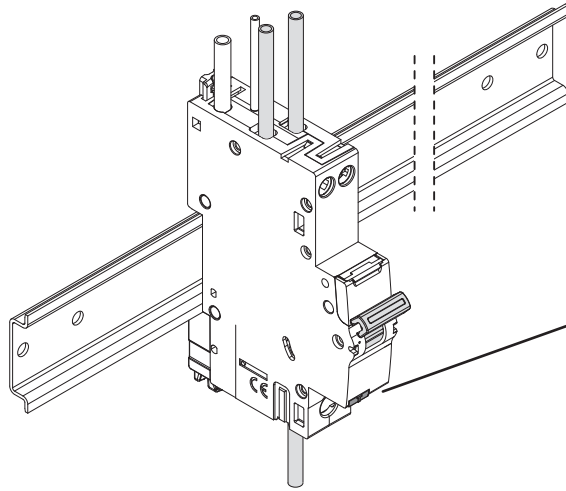
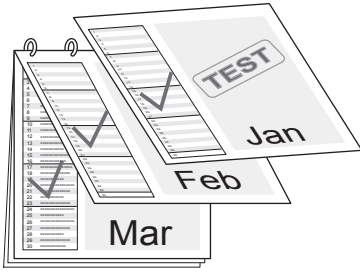
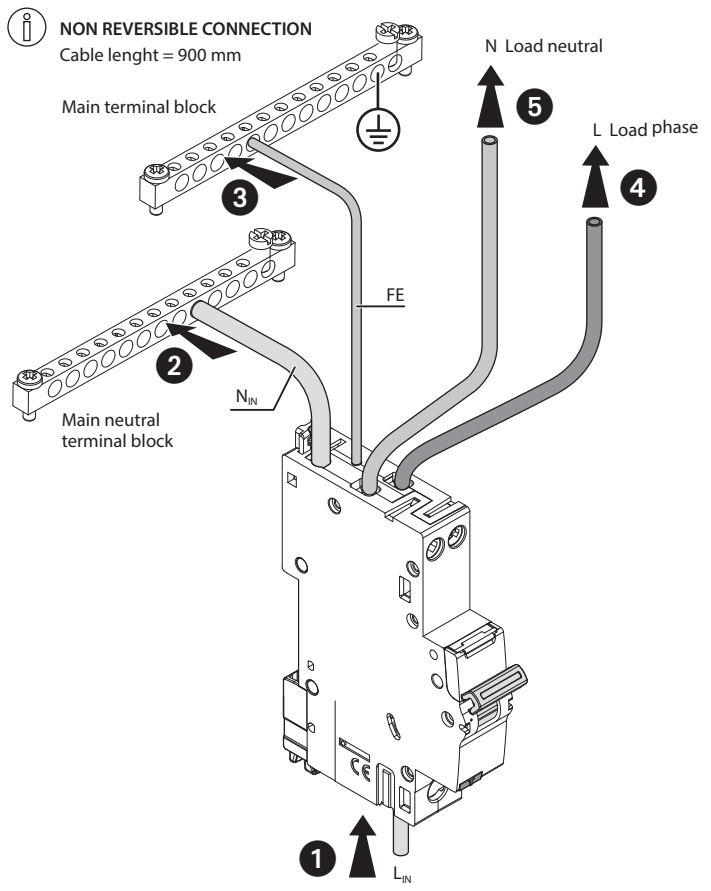
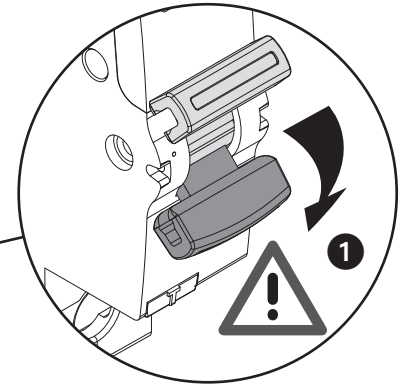
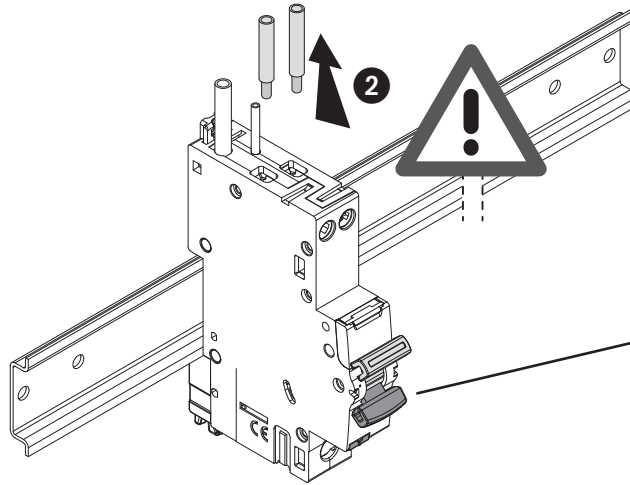
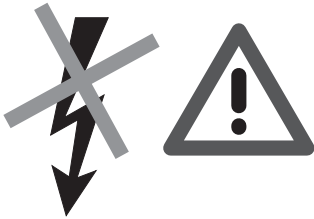


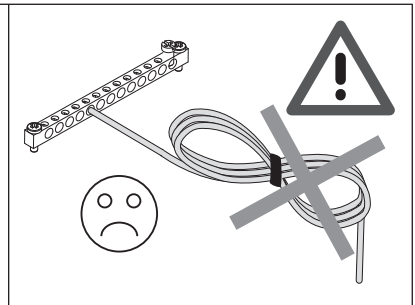
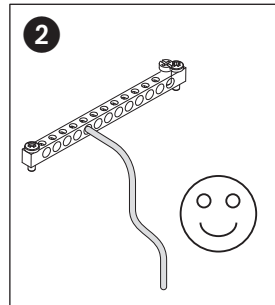
PERIODIC TEST



INSULATION TEST



5.5 mm max PZ 2	12 mm 0,75 - 16 mm ²
	12 mm 0,75 - 10 mm ²
6.5 mm max PZ 2 mini : 2 Nm maxi : 3 Nm	14 mm 0,75 - 35 mm ²
	14 mm 0,75 - 25 mm ²



The instructions for installation and use must be strictly observed in order to avoid the risk of electric shock or fire.

